



# **Spare Parts List**

**(1.003-028.0)**

**MS2**

## ***How to Use this Spare Parts List***

---

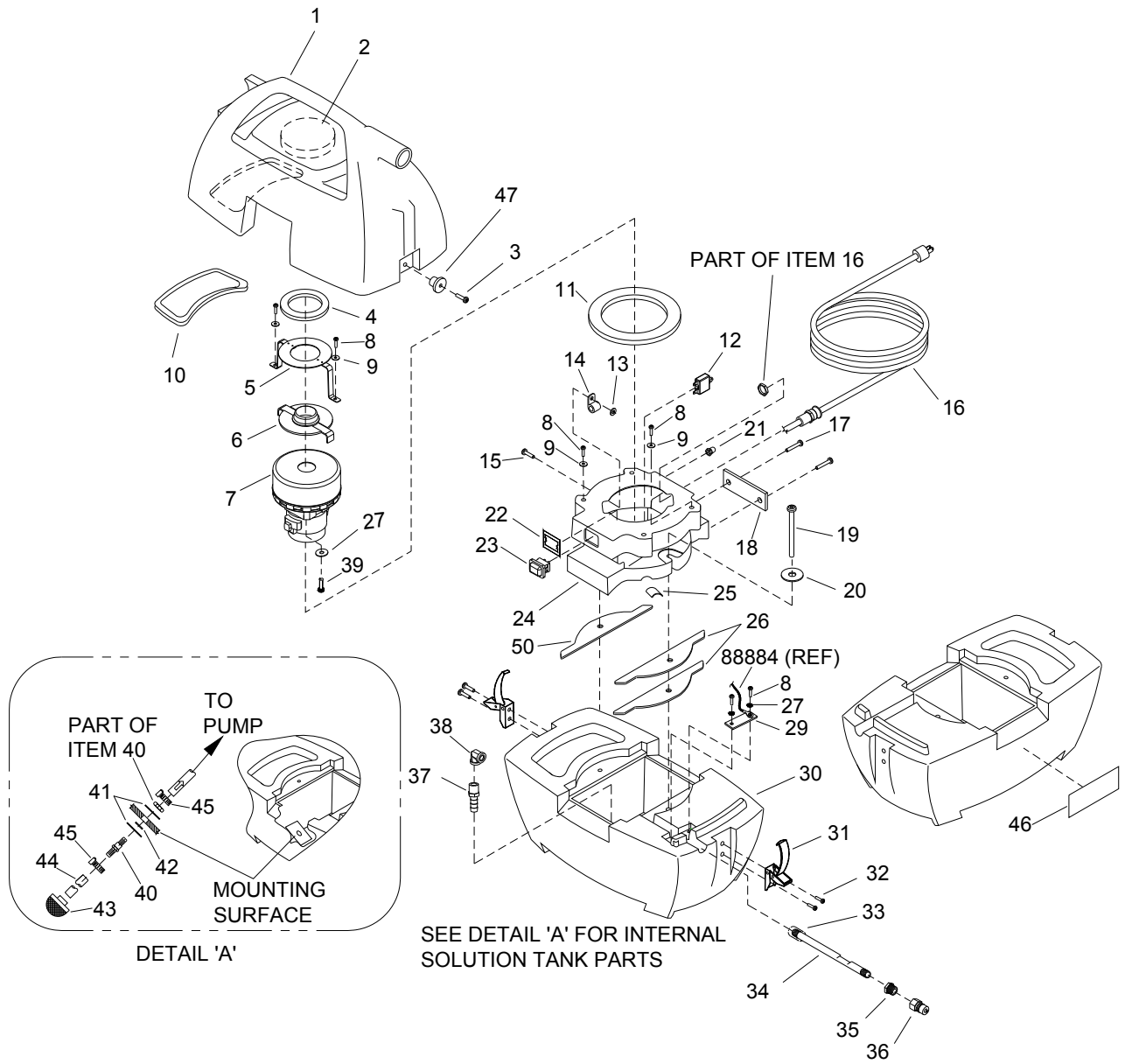
The PARTS LIST section contains assembled parts illustrations and corresponding parts list. The parts lists include a number of columns of information:

- REF - column refers to the reference number on the parts illustration.
- PART NO. - column lists the part number for the part.
- QTY - column lists the quantity of the part used in that area of the machine.
- DESCRIPTION - column is a brief description of the part.
- SERIAL NO. FROM - If this column has an (\*) and a Reference number, see the SERIAL NUMBERS page in the back of your manual. If column has two asterisk (\*\*), call manufacturer for serial number. The serial number indicates the first machine the part number is applicable to. The main illustration shows the most current design of the machine. When a boxed illustration is shown, it displays the older design.
- NOTES - column for information not noted by the other columns.

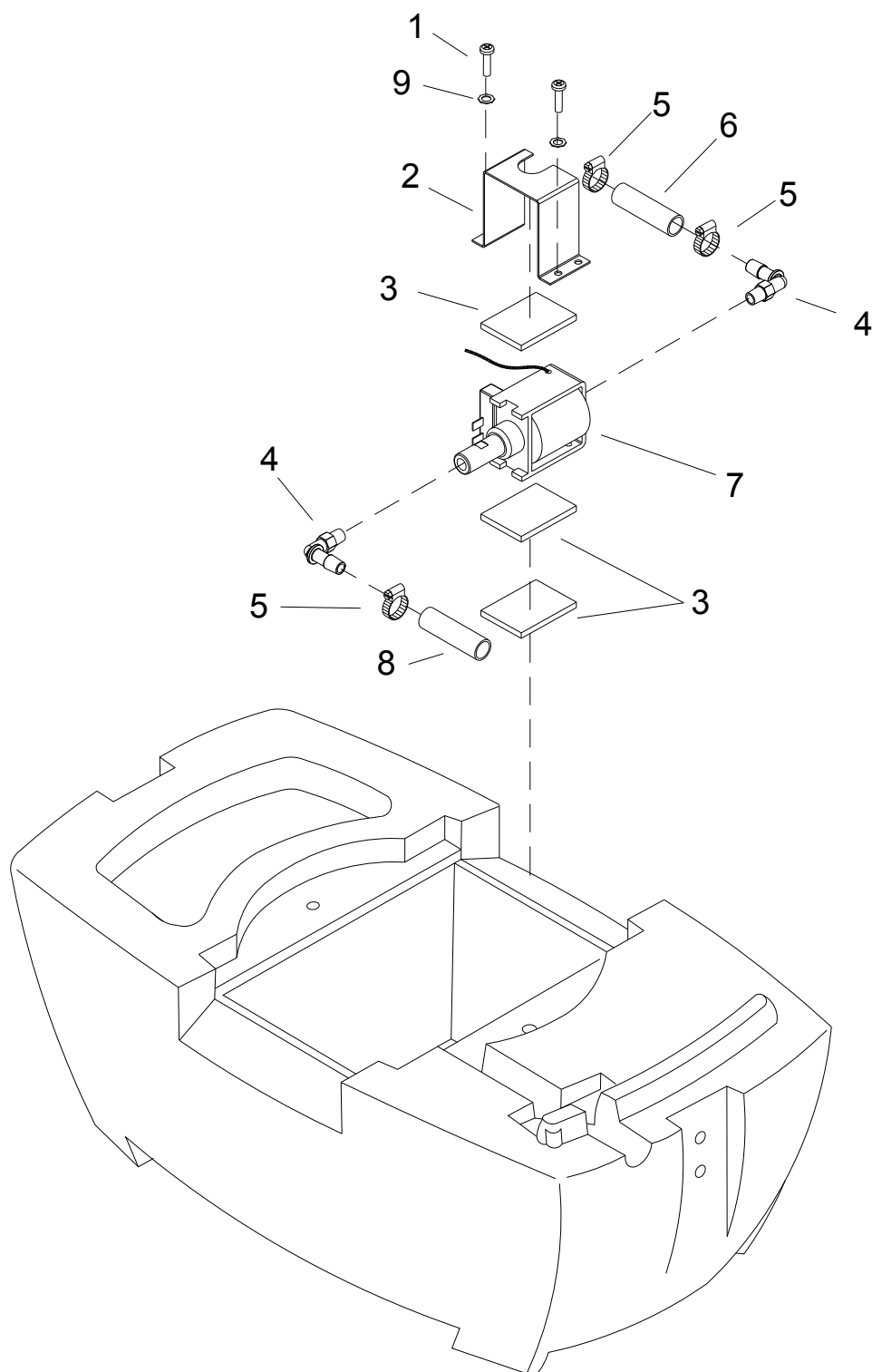
**NOTE:** *If a service or option kit is installed on your machine, be sure to keep the KIT INSTRUCTIONS which came with the kit. It contains replacement parts numbers needed for ordering future parts.*

**How to Use this Spare Parts List . . . . . 2**  
**Table of Contents . . . . . 3**  
Extractor . . . . . 4  
Solution Pump . . . . . 6  
Wiring Diagram . . . . . 8  
Notes . . . . . 10  
Hand Tool . . . . . 12  
Mini Cart . . . . . 14  
Cart . . . . . 16

# Extractor

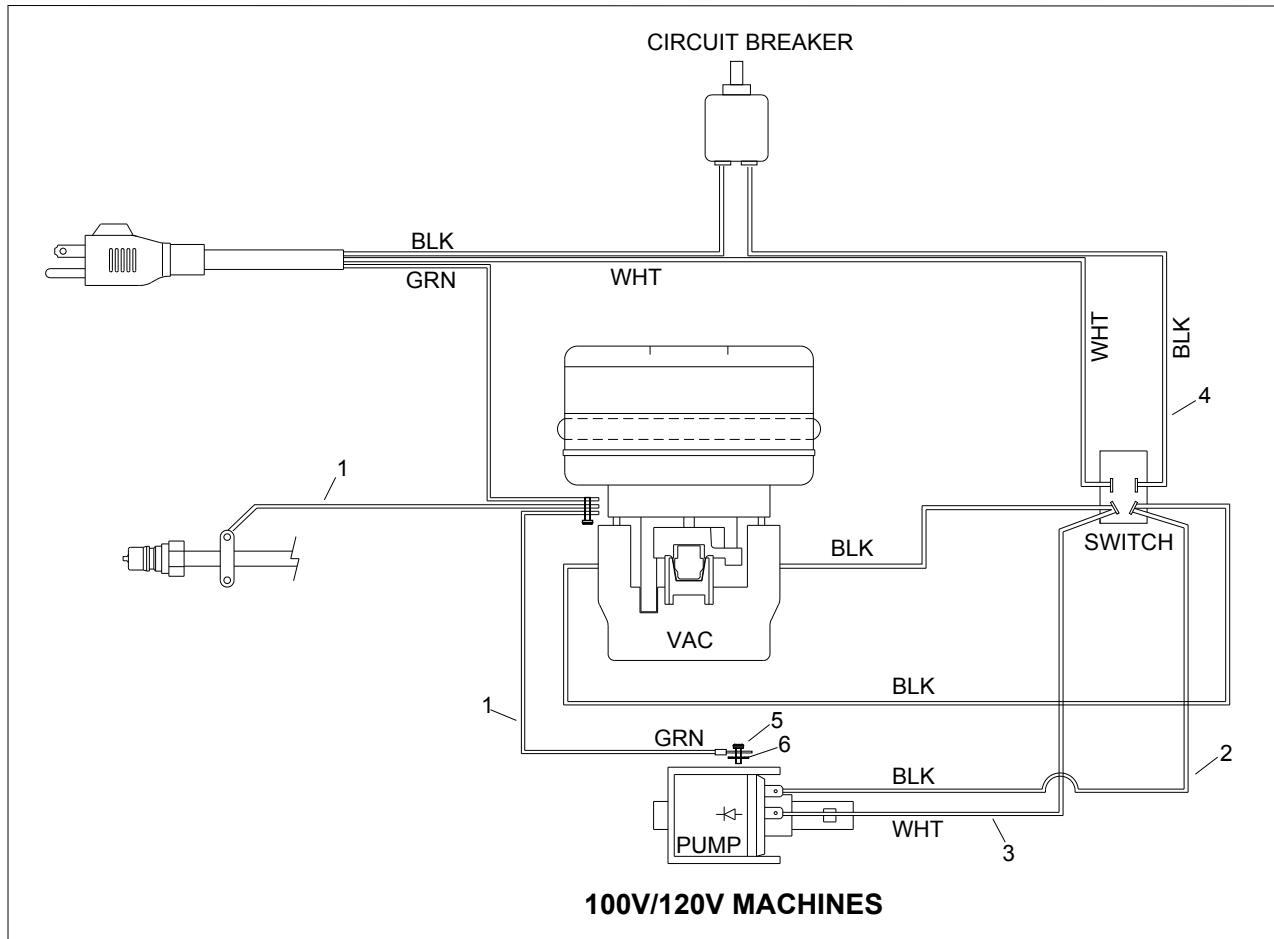


REF	PART NO.	QTY	DESCRIPTION	SERIAL NO. FROM	NOTES:
1	86225200	1	TANK, RECOVERY		
2	86236520	1	FOAM, 4.00 OD X 1.0 THICK		
3	86223730	2	SCREW, 8-32 X 1/2 FHMS BLK PLTD		
4	86237440	1	GASKET, 4.06 X 2.50 X .38		
5	86223440	1	RETAINER, VAC MOTOR		
6	86217310	1	COVER, VAC MOTOR		
7	86258440	1	VAC MOTOR, 120V 2ST LNP		
8	86274290	6	SCR, 10-32 X 3/8 PPHMS SS		
9	86225770	4	WASHER, M6 X 12.5 FLAT SS		
10	86237410	1	GASKET, SPOTTER RECOVERY		
11	86237420	1	GASKET, 4.0 X 5.5" X .25 PORON		
12	86215670	1	BREAKER, 8A VDE CIRCUIT		
13	86010690	1	WASHER, 1/8 RIVET BACKUP		
14	86261160	1	CAPACITOR ASM, EMI		
15	86136540	1	RIVET, M4 X 14 MM		
16	86217060	1	CORD ASM, 14 X 3 25' YLW		
17	86136550	2	RIVET, M3 X 12 MM		
18	86079650	1	PLATE, DATA LABEL		
19	86275870	2	SCREW, 1/4-20 X 1.5 PHMS PLTD		
20	86225760	2	WASHER, M8 X 22 FLAT PLTD		
21	86002010	1	BOOT, 3/8 CIRCUIT BREAKER		
22	86233510	1	CLIP, SWITCH RETAINING		
23	86225110	1	SWITCH, DPST 250V 16(4) SPLASH		
24	86219310	1	HOUSING, VAC		
25	86237460	1	GASKET, .31 x .75 x 1.98		
26	86237450	2	GASKET, VAC HOUSING 3/16"		
27	86010640	3	WASHER, #10 EXT. TOOTH LOCK		
28	86218030	1	GASKET, VAC HOUSING 3/8"		
29	86068560	1	BRACKET, NIPPLE		
30	86225190	1	TANK, SOLUTION		
31	86246180	2	LATCH, TANK		
32	86006520	4	SCREW, 8-32 X 3/8 PPHMS SS		
33	86218160	1	GASKET, GROUND WIRE		
34	86247740	1	NIPPLE, 1/4 X 6.0 BRASS		
35	86227220	1	ADPTR, 1/8 MPT X 1/4 FPT BRASS		
36	86200820	1	NIPPLE, 1/8 FPT QD MALE BRASS		
37	86197580	1	HOSEBARB, 1/4 MPT X 3/8		
38	86197370	1	ELBOW, 1/4 FPT X 1/4 FPT		
39	86288450	1	SCR, M4.8 X 10 HHTF TYPE B		
40	86258310	1	BULKHEAD, UNION		
41	86279320	2	WASHER, .52 ID X .875 OD		
42	86248090	1	O-RING, .500 ID X .688 OD X .103		
43	86007700	1	STRAINER, 80 MESH X 3/8 FPT		
44	86219010	1	HOSE, 3/8 ID SGLBRD RBR X 5"		
45	86233150	2	CLAMP, HOSE		
46	86220140	1	LABEL, WARNING		
47	86241790	2	KEEPER, LATCH		



REF	PART NO.	QTY	DESCRIPTION	SERIAL NO. FROM	NOTES:
1	86275710	2	SCREW, 10-32 X 3/8 PPH EX-SEMS		
2	86068690	1	BRACKET, SOLENOID PUMP		
3	86237530	3	GASKET, TUBE SEAL		
4	86197590	2	HOSEBARB, 1/8 MPT 3/8 90°		
5	86233150	3	CLAMP, HOSE		
6	86240290	1	HOSE, 3/8ID WIREBOUND X 2.6"		
7	86201110	1	PUMP, 110/120V 60HZ FLOJET		
8	86281310	1	HOSE, 3/8ID WIREBOUND X 8.8"		
9	86010640	2	WASHER, #10 EXT. TOOTH LOCK		

# Wiring Diagram

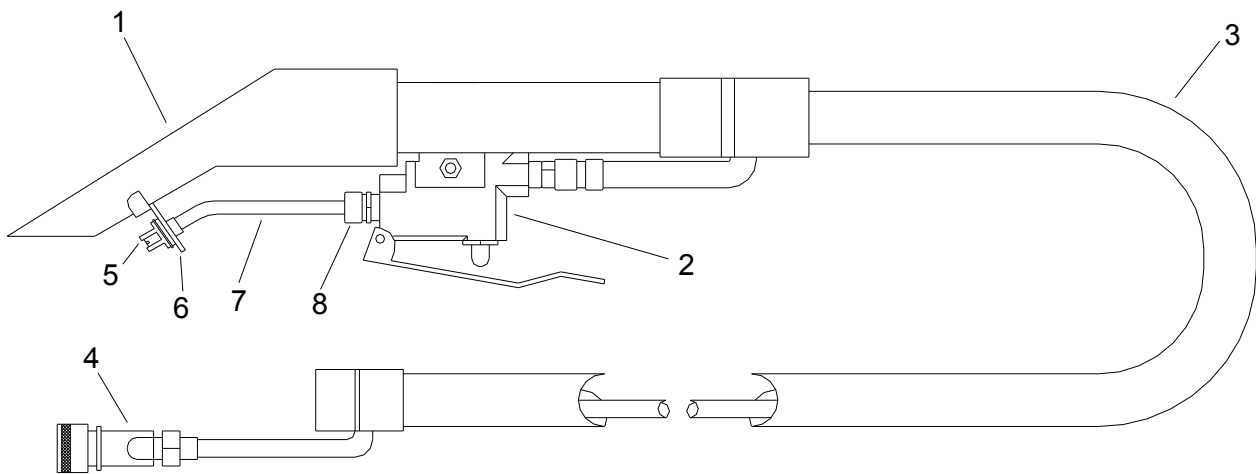




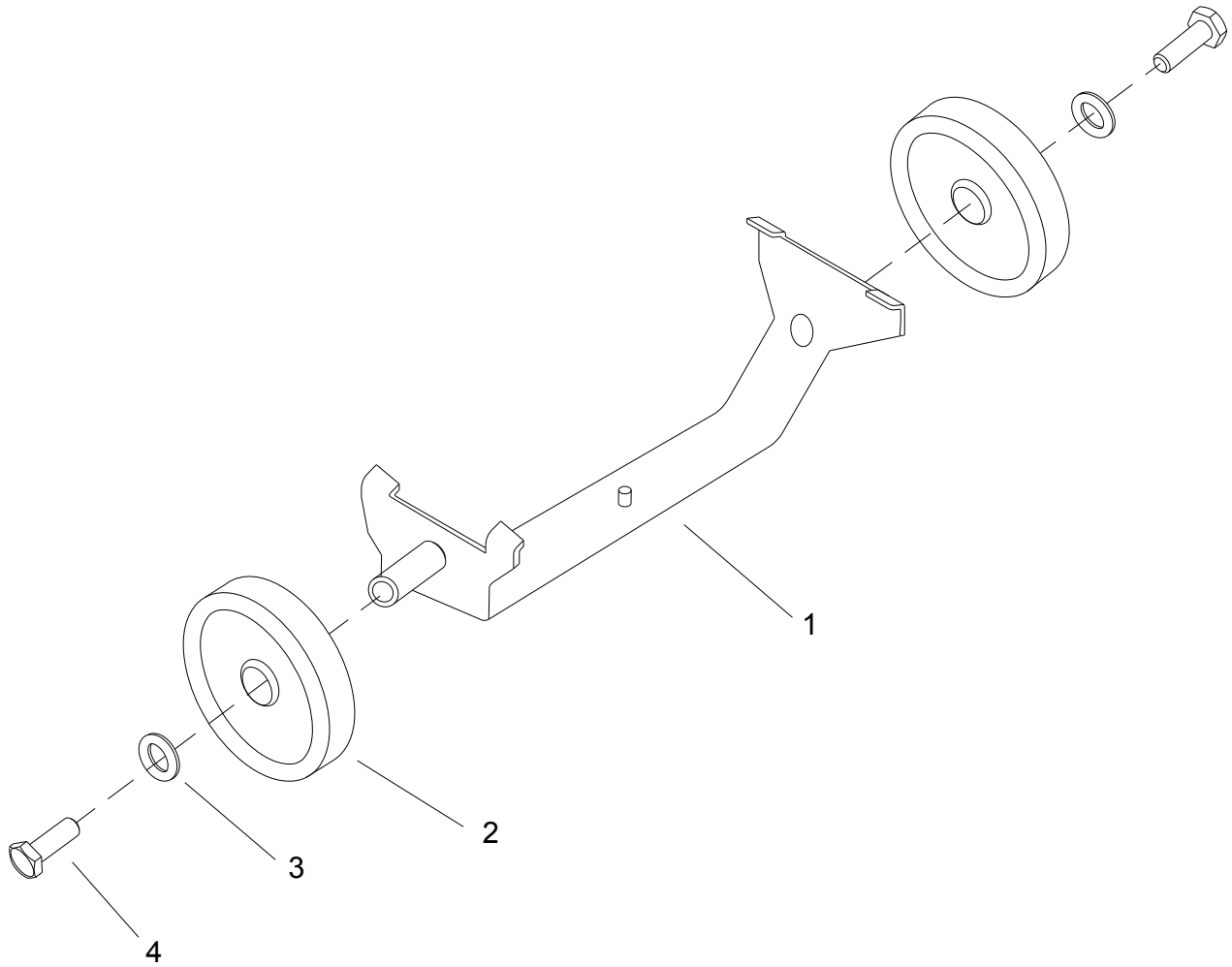
REF	PART NO.	QTY	DESCRIPTION	SERIAL NO. FROM	NOTES:
1	86226310	2	WIRE, 14" GRN/18 76008 X 76008		
2	86226100	1	WIRE, 13" BLK/14 76050 X 76029		
3	86226110	1	WIRE, 13" WHT/14 76050 X 76059		
4	86226120	1	WIRE, 9" BLK/14 76029 X 76029		
5	86006770	1	SCR, 10-32 X 1/4 PHTR PLTD		
6	86010640	1	WASHER, #10 LOCK EXT STAR SS		



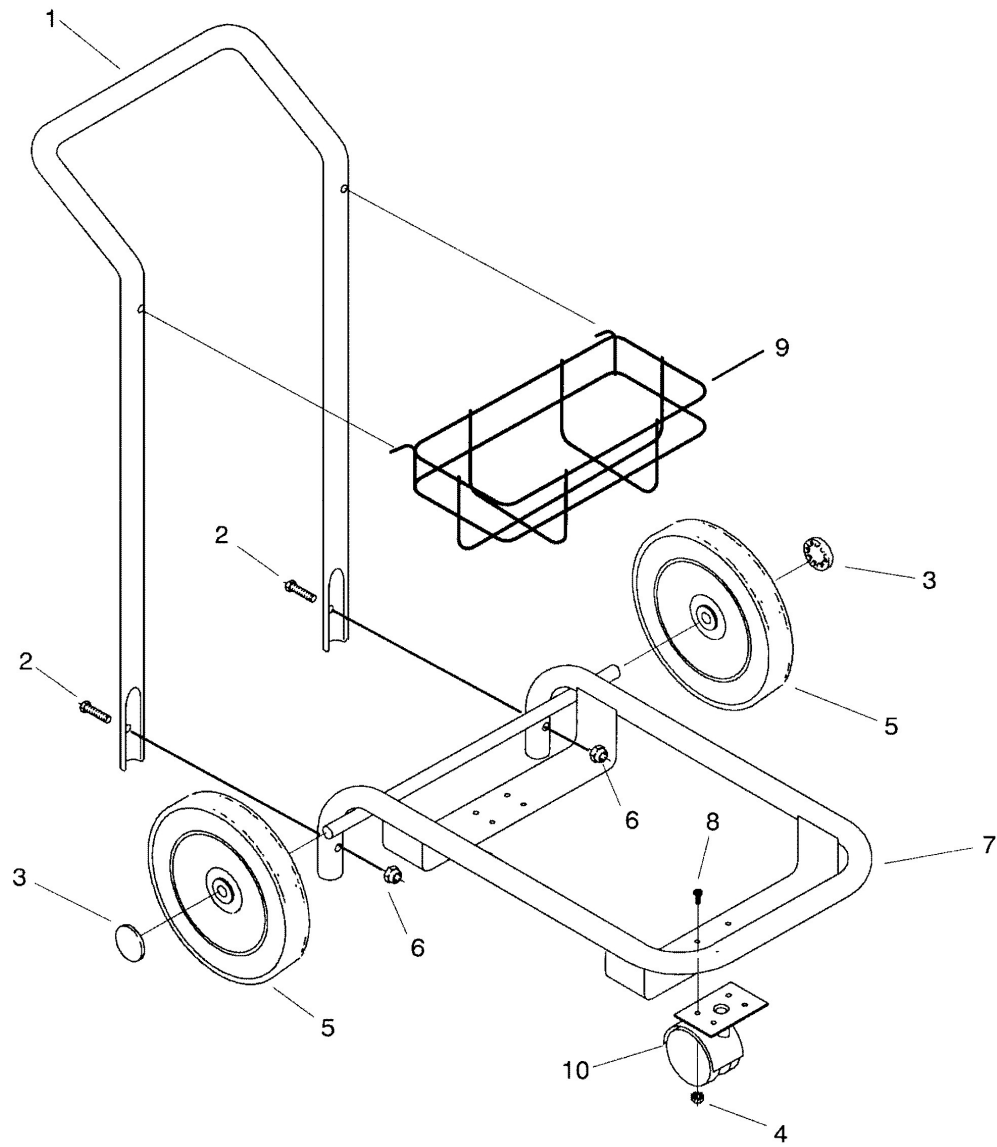
# OPTIONS



REF	PART NO.	QTY	DESCRIPTION	SERIAL NO. FROM	NOTES:
1	86219340	1	HOUSING, HANDTOOL SPOTTER		
2	86225670	1	VALVE ASM, SPOTTER OKA		
3	86219020	1	HOSE ASM, VAC/SOLUTION		
4	86200810	1	NIPPLE, 1/8 FPT QD FEM BRASS		
5	86219570	1	JET, ASM W/O RING		
6	86223100	1	PLATE, RETAINER W/HARDWARE		
7	86221910	1	MANIFOLD, SPOTTER		
8	86218000	1	FTTG, 1/8MPT X 3/16 COMP		
-	86218790	-	HAND TOOL, SPOTTER		ENTIRE ASSEMBLY AS KIT



REF	PART NO.	QTY.	DESCRIPTION	SERIAL NO.FROM	NOTES:
1	86222950	1	PLATE, WELDMENT		
2	86259770	2	WHEEL, 5"D X 1" X .5" ID GRY		
3	86137280	2	WASHER, M8 FLAT DIN125A PLT		
4	86136640	2	SCR, M8 X 20 HHMS PLTD		
-	86222030	-	MINI CART		ENTIRE ASSEMBLY AS KIT





REF	PART NO.	QTY	DESCRIPTION	SERIAL NO. FROM	NOTES:
1	86089270	1	TUBE, CART HANDLE		
2	86273740	2	SCREW, 1/4-20 X 1.5 TAP PLTD.		
3	86271380	2	NUT, 1/2 STAR LOCK PUSH-ON		
4	86005700	4	NUT, 10-32 HEX W/ STAR WASHER		
5	86259970	2	WHEEL, 8" GREY		
6	86005680	2	NUT, 1/4-20 LOCK		
7	86092130	1	CART BASE ASM, SPOTTER		
8	86006590	2	SCREW, 10-32 X 1/2 PPHMS SS NP		
9	86228340	1	BASKET, CART		
10	86232530	1	CASTER, 2.5 DIA		
11	86010630	2	WASHER, 1/4 ID X 5/8 OD SS		
-	86000030	-	SPOTTER CART		ENTIRE ASM AS KIT

## Serial Number

---

REF. NO.	MODEL: SERIAL #
1	**

